

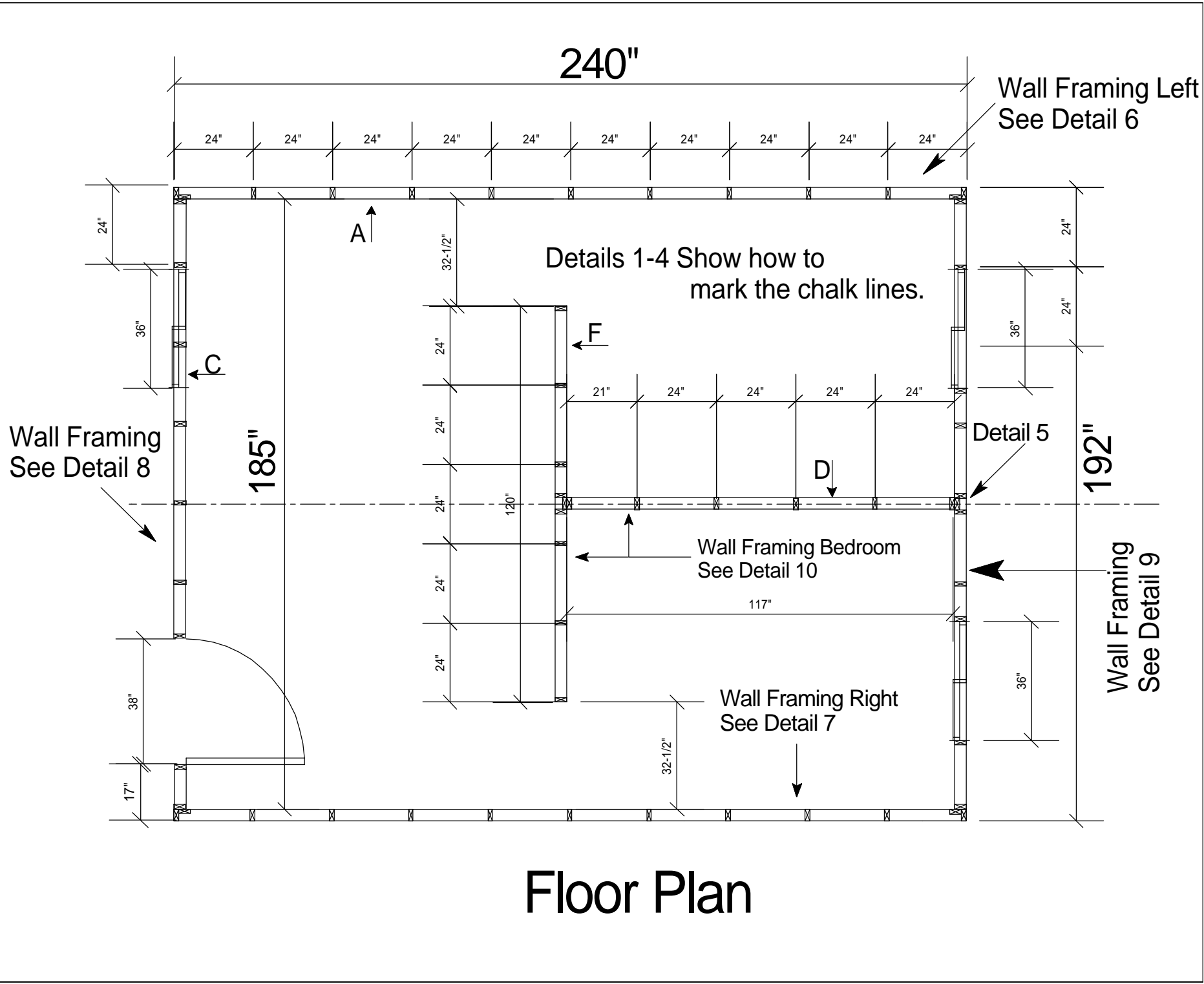
PROJECT MEXICO



HOUSE PLANS

www.projectmexico.net

© 2004, 2005 Dave Bower, Team Casa de Dios, Baja Christian Ministries



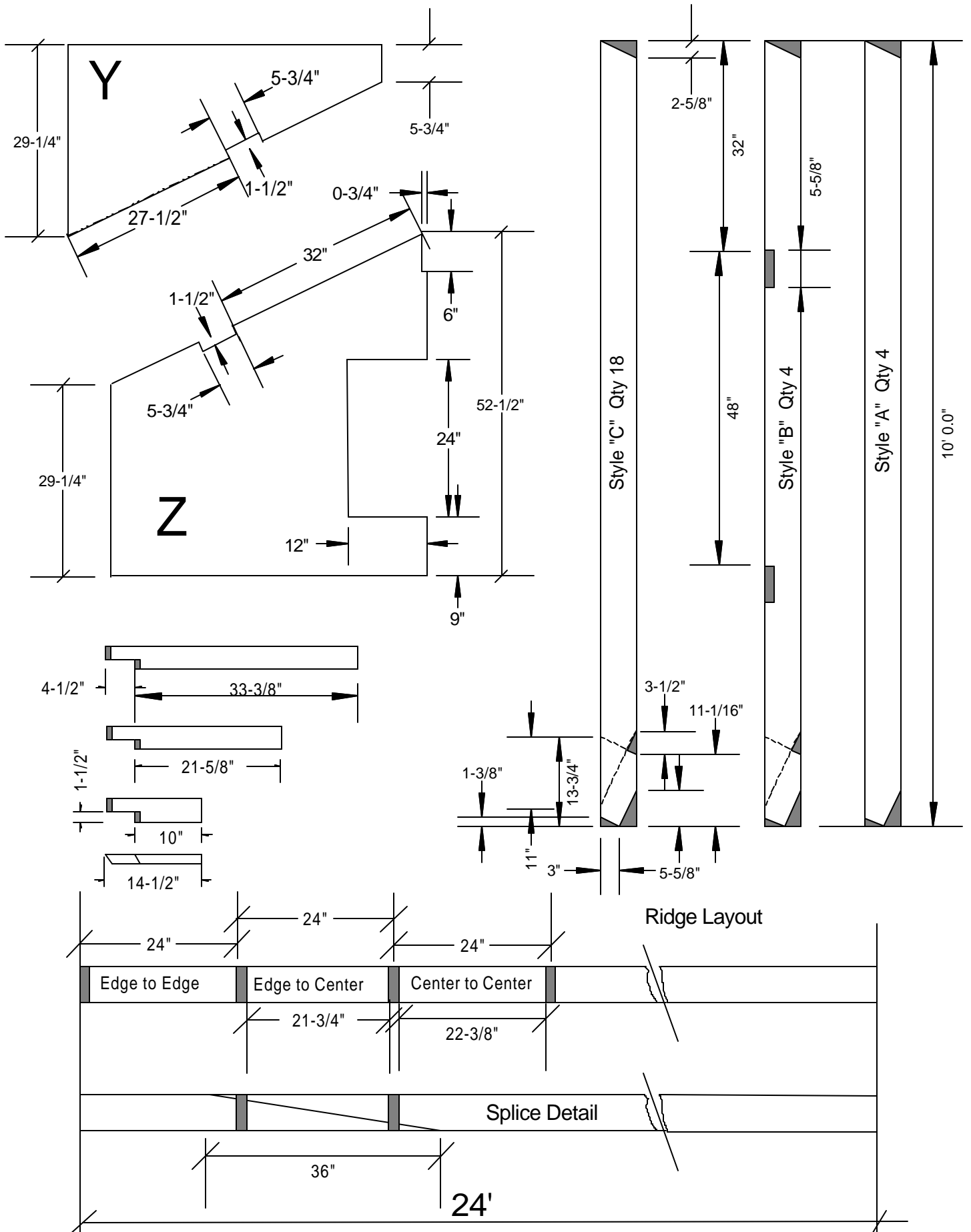
Casa de Dios Cut List

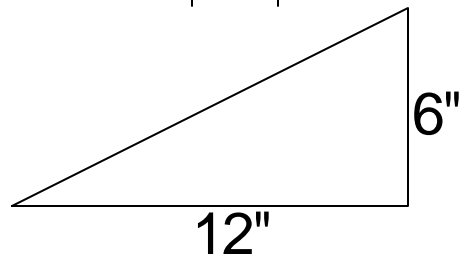
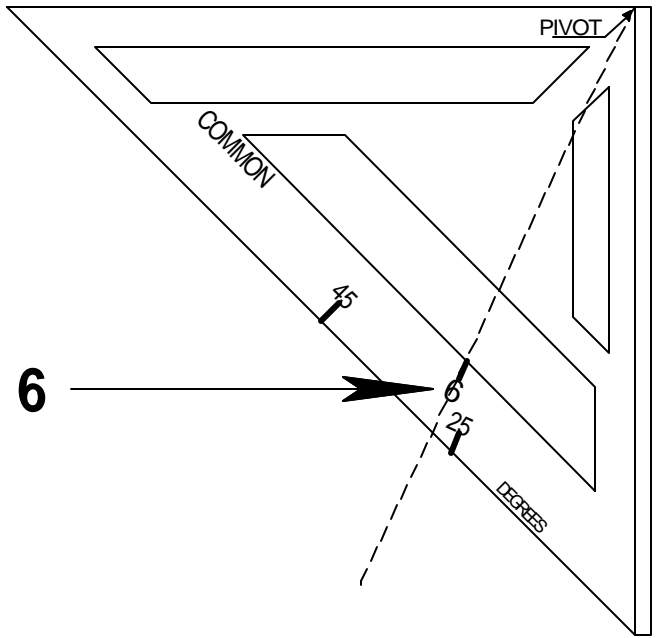
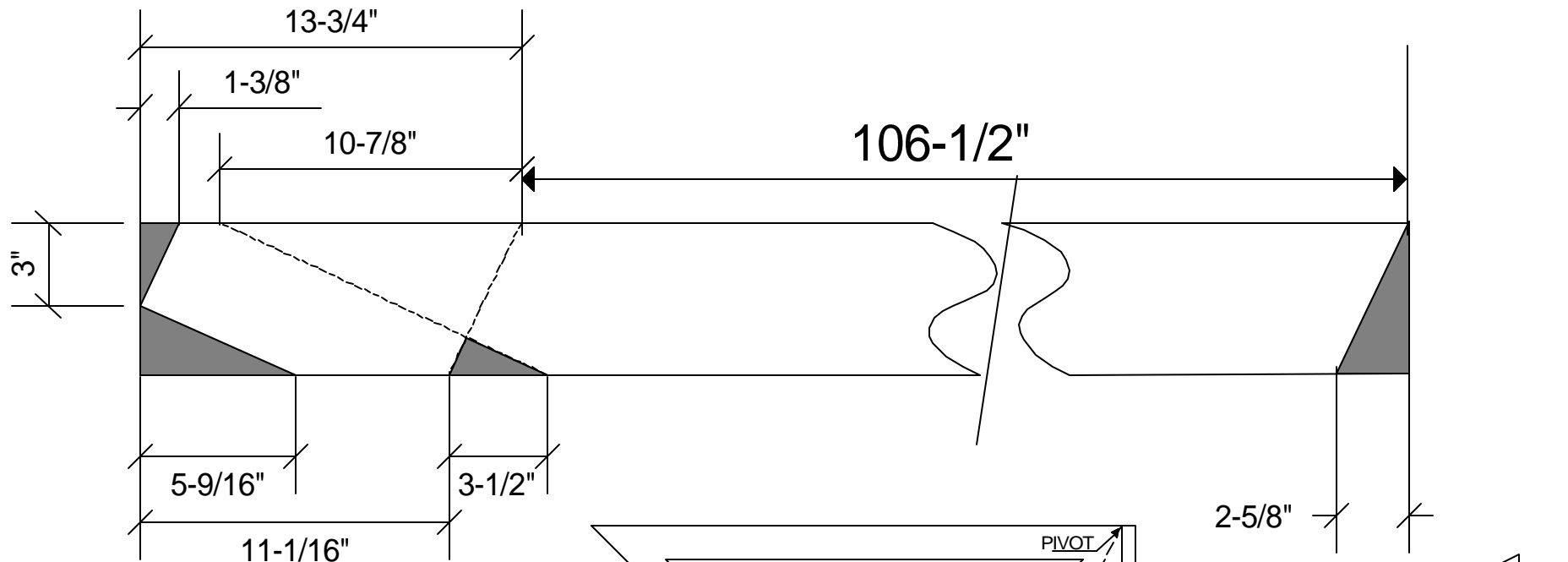
Legend	Qty	Dimension	Location/Description
A	4	2"x 4" x 20'	Long Wall Top and Bottom Plate
B	4	2"x 4" x 185"	Short Wall Top and Bottom Plate
C	3	2"x 4" x 16'	Top Plates Short Walls
D	4	2"x 4" x 117"	Bedroom /Center Wall Top Plate
E	2	2"x 4" x 112-1/4"	Top Plates Long Walls
F	2	2"x 4" x 10'	Bedroom Top/Bottom Plate
G	55	2"x 4" x 92-1/4"	Wall Studs
H	9	2"x 4" x 36"	Window Frames/Cripples/Headers
I	3	2"x 4" x 17-1/4"	Window Top Cripple
J	6	2"x 4" x 79"	Interior Wall Studs
K	1	2"x 4" x 38"	Door Header
L	2	2"x 4" x 10-1/4"	Door Cripple
M	2	2"x 4" x 35-1/2"	Door Header Bedroom
N	2	2"x 6" x 117"	Ledger Bedroom/Loft
O	6	2"x 6" x 182"	Bedroom Ceiling Joists
P	1	2"x 6" x 24'	Roof Ridge
Q	4	2"x 6" x 10'	Rafter - Fascia "A"
R	4	2"x 6" x 10'	Rafter - End Wall "B"
S	18	2"x 6" x 10'	Rafter - Common "C"
T	8	2"x 6" x 45-3/4"	Roof Lookouts
U	16	2"x 6" x 22-3/8"	Pressure/Bird Blocks Roof
V	4	2"x 6" x 21-3/4"	Pressure/Bird Blocks Roof Ends
W	4	4' x 4'	1/2" Plywood Roof Sheeting
X	6	2' x 8'	1/2" Plywood Roof Sheeting
Y	4	48" x 5-3/4" x 29-1/4"	1/2" Plywood Endwall
Z	4	48" x 29-1/4" x 52-1/2"	1/2" Plywood Endwall
	10	4' x 8'	1/2" Plywood Roof Sheeting -Full Sheets
Paint	23	4' x 8'	1/2" Plywood Wall Sheeting -Full Sheets
A1	1	2"x 4" x 45-1/2"	Center Cripple Roof Stud
B1	4	2"x 4" x 10" – 14"-1/2"	End Wall Roof Cripple
C1	4	2"x 4" x 21-5/8" – 28"	End Wall Roof Cripple
D1	4	2"x 4" x 33-3/8" – 39-5/8"	End Wall Roof Cripple

Notes: Verify ALL measurements!

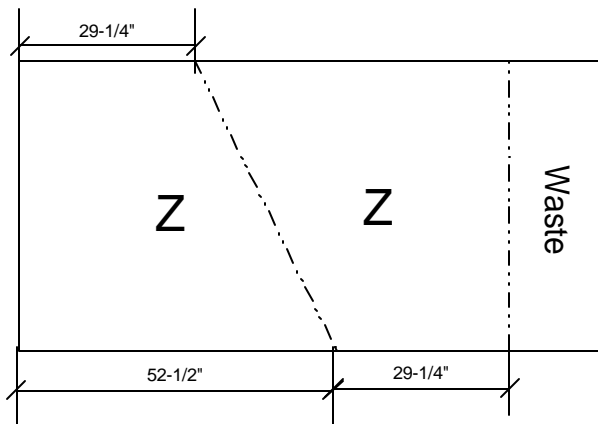
Check ALL windows and doors **PRIOR** any cutting!

Measure twice! Cut Once!

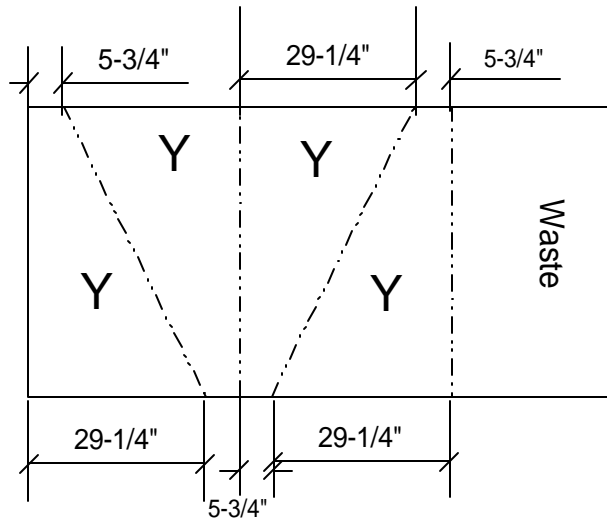




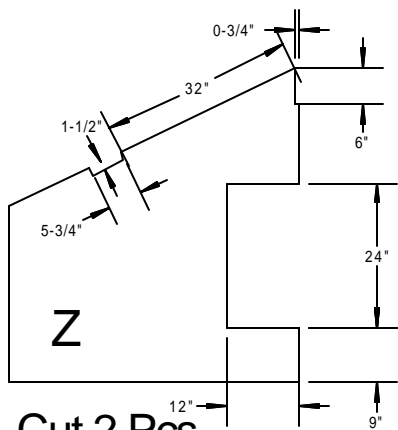
When laying out rafters using a speed square use the **COMMON** scale 6 or degrees 26.5 deg.



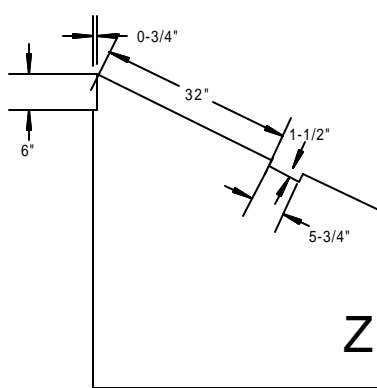
Make 4 letter Z's - 2 full sheets required



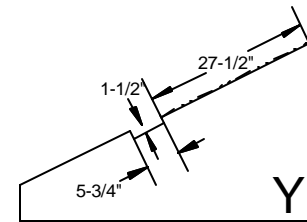
Make 4 letter Y's - 1 full sheet required



Cut 2 Pcs

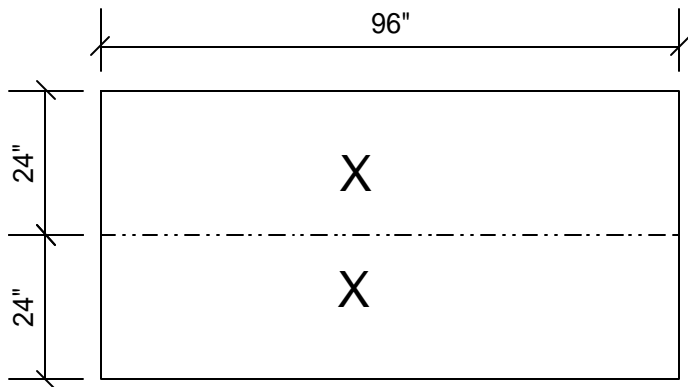


Cut 2 Pcs

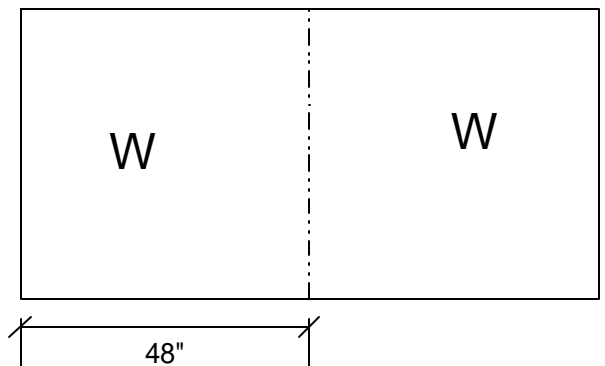


Cut 4 Pcs

Gable Endwall Plywood - Detail Cuts

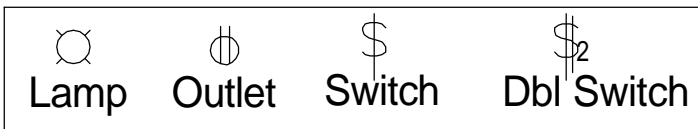
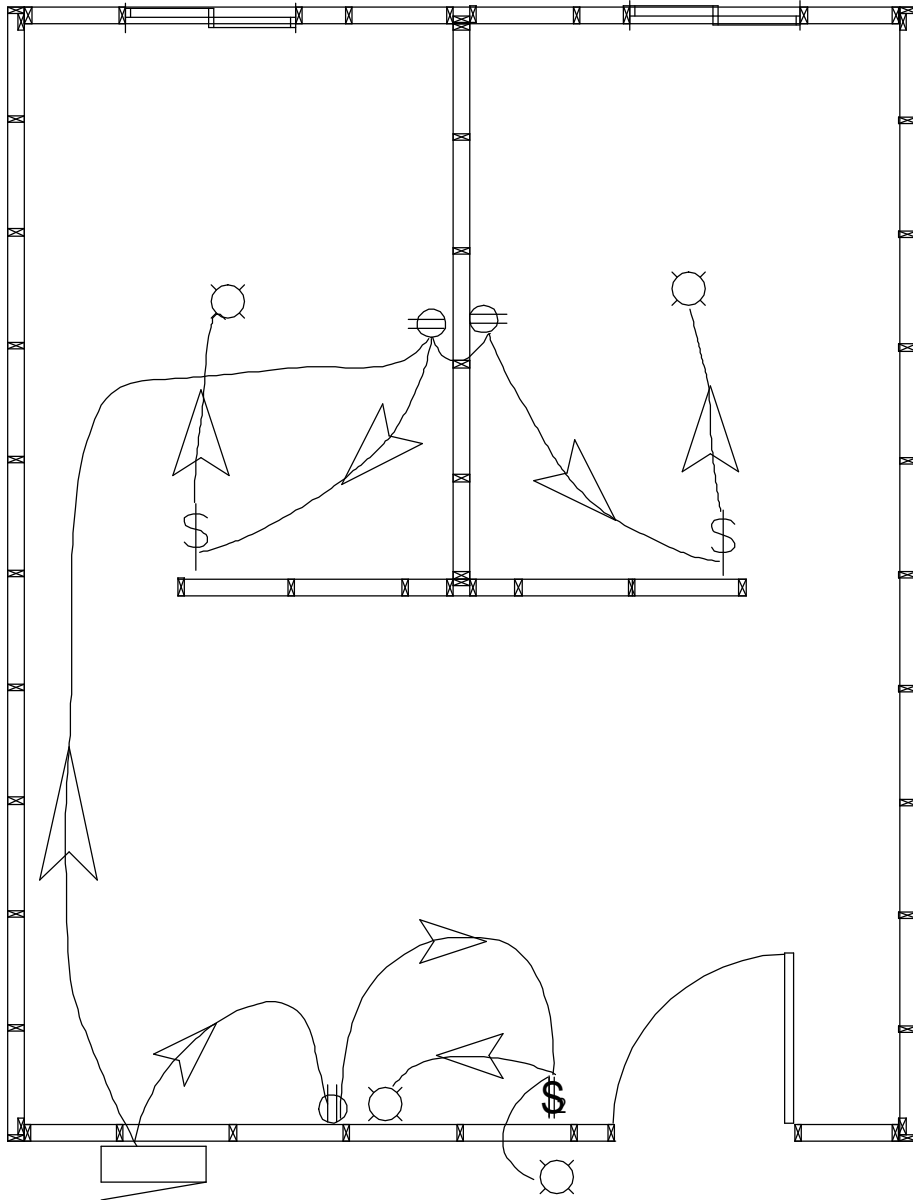


Make 6 letter X's - 3 full sheets required



Make 4 letter W's - 2 full sheets required

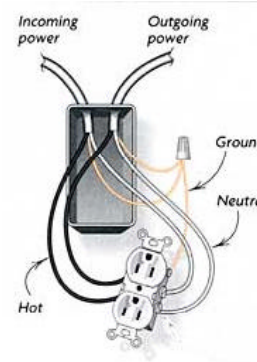
Roof Plywood Cutting Diagram



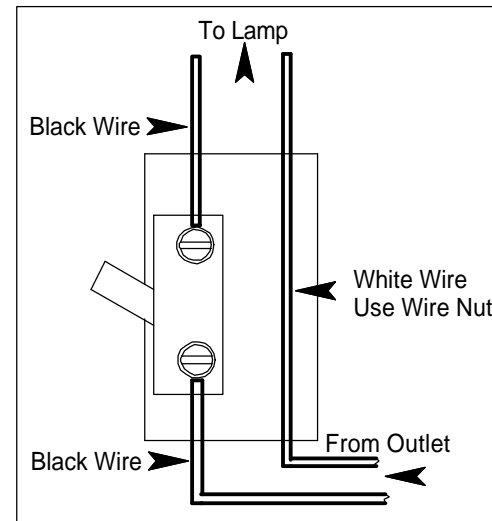
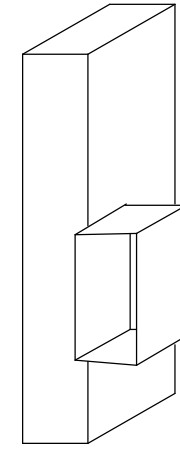
2 Circuits:

First one runs to the bedroom outlets then to the switches then to the lamps.

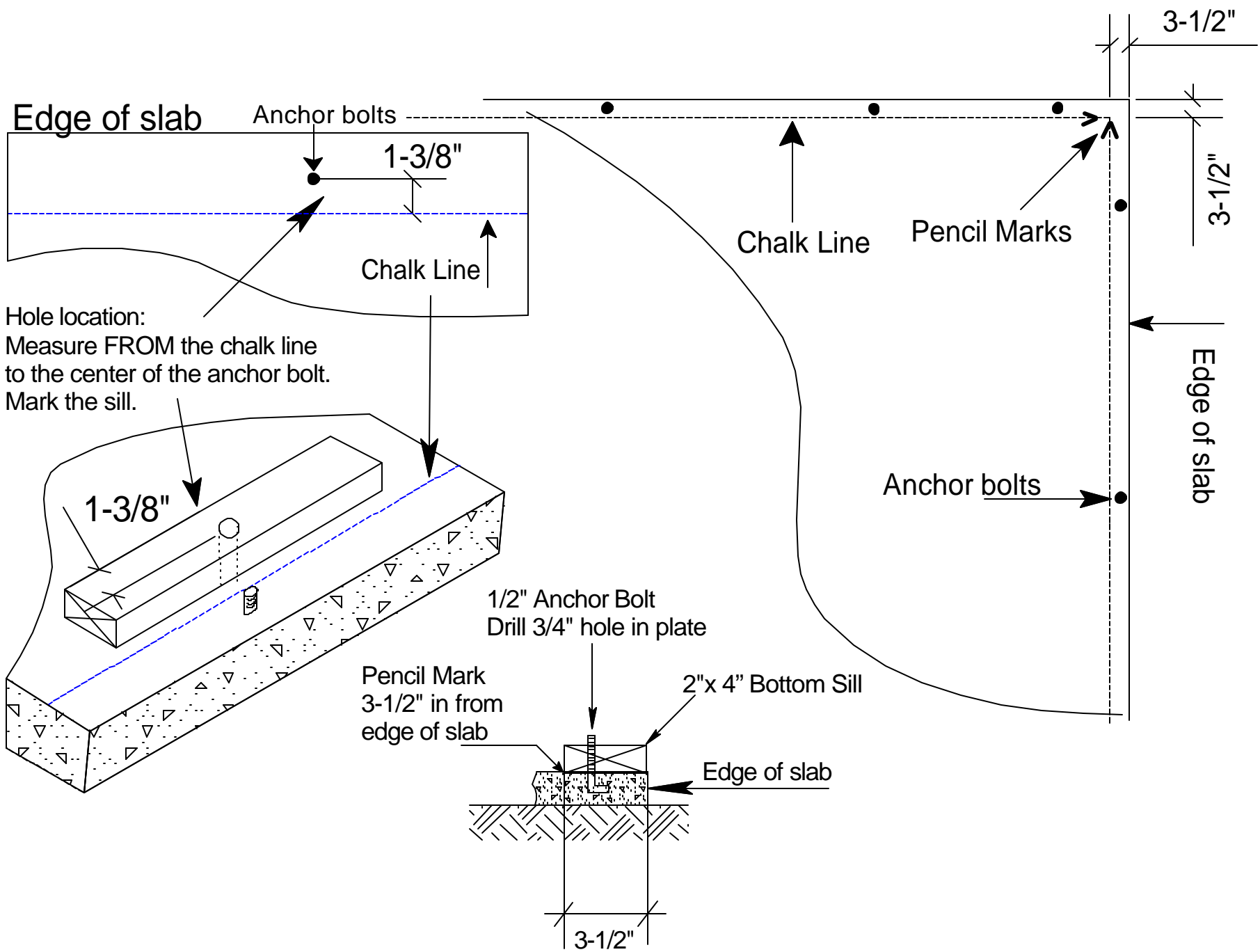
Second one runs to the living room outlet - then to the switch then to the lamps.



Install all outlet & switch boxes 1/2" out from stud and 4' - 1/2" above floor.

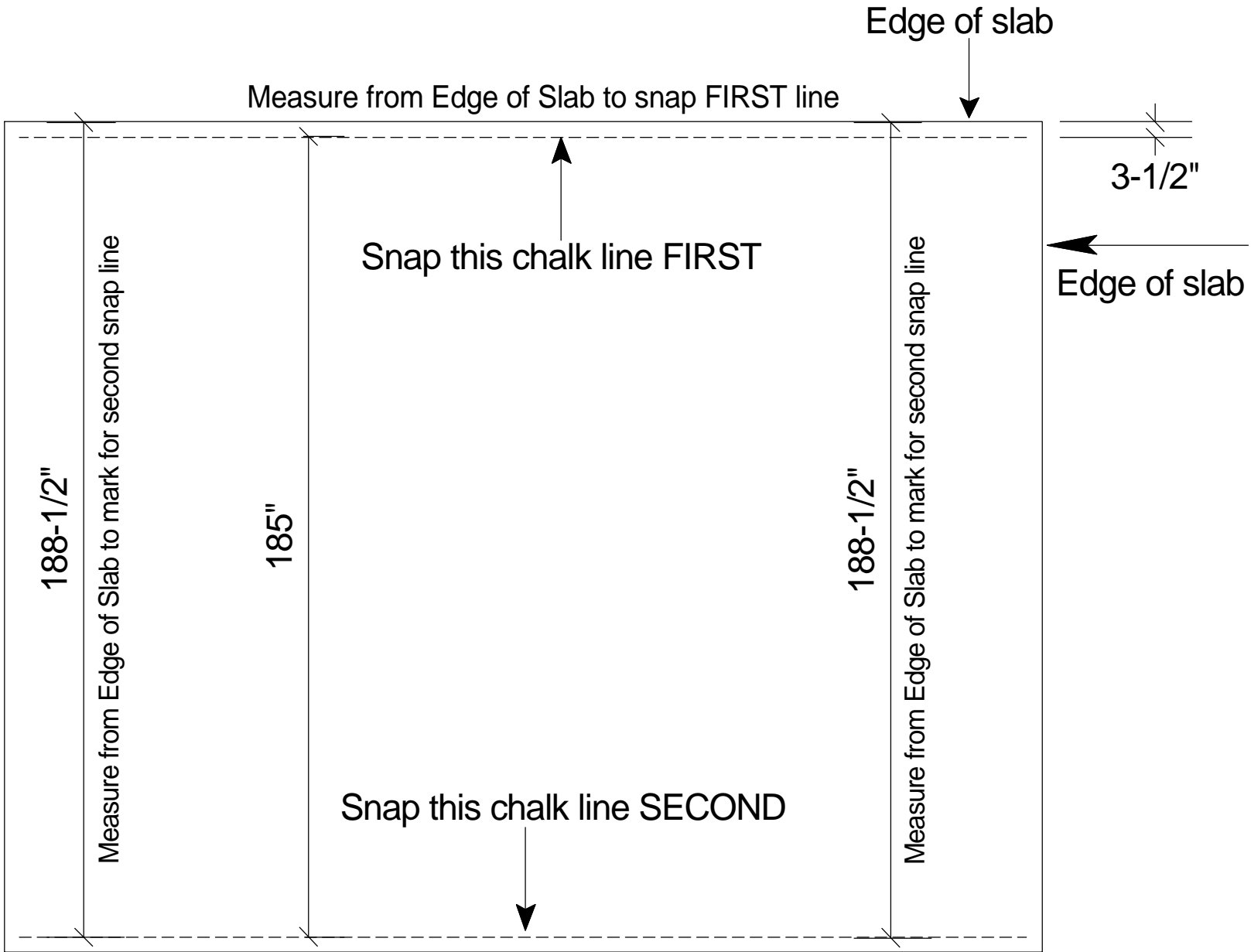


Electrical Outline

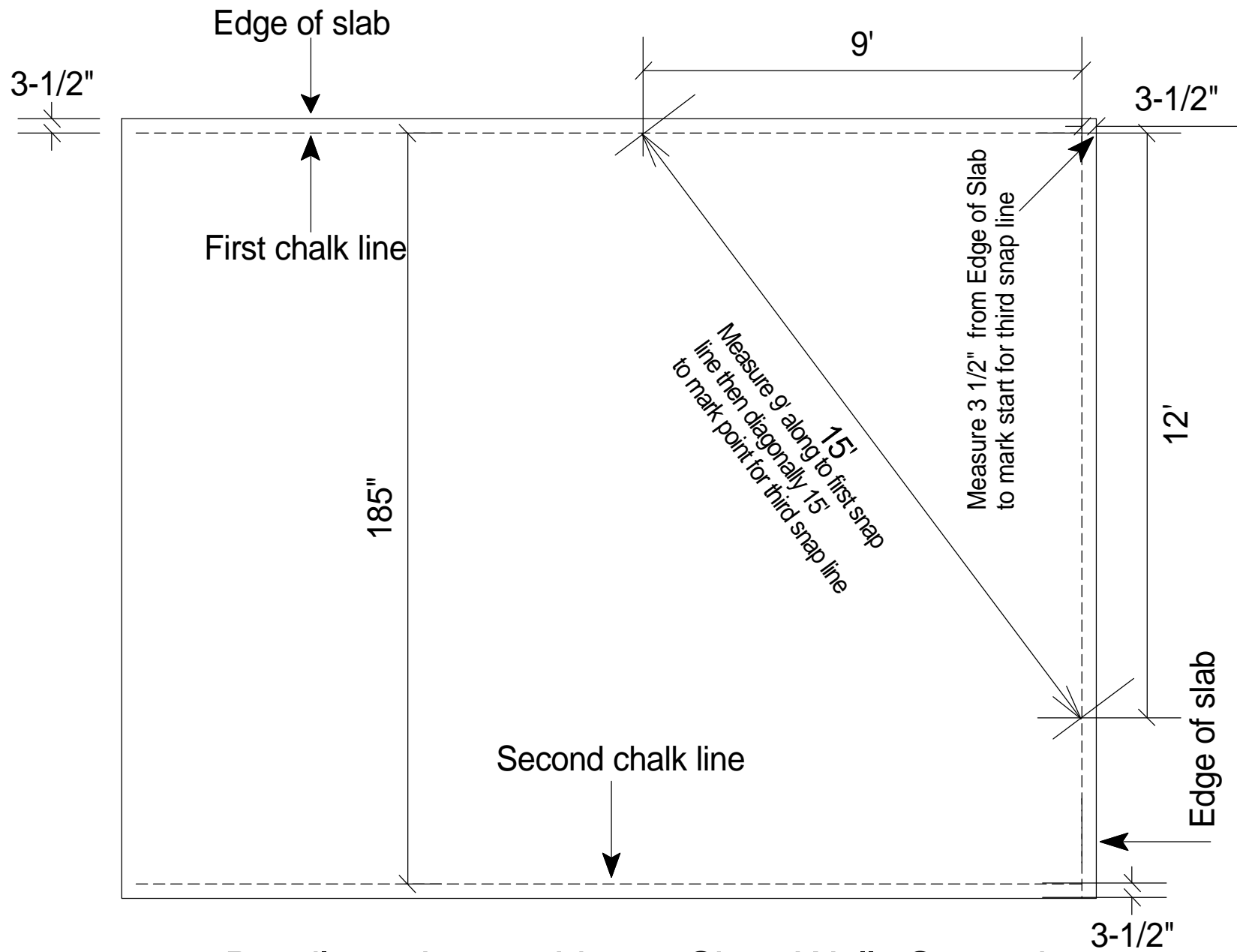


Detail 1 Layout - Marking - Chalk Lines

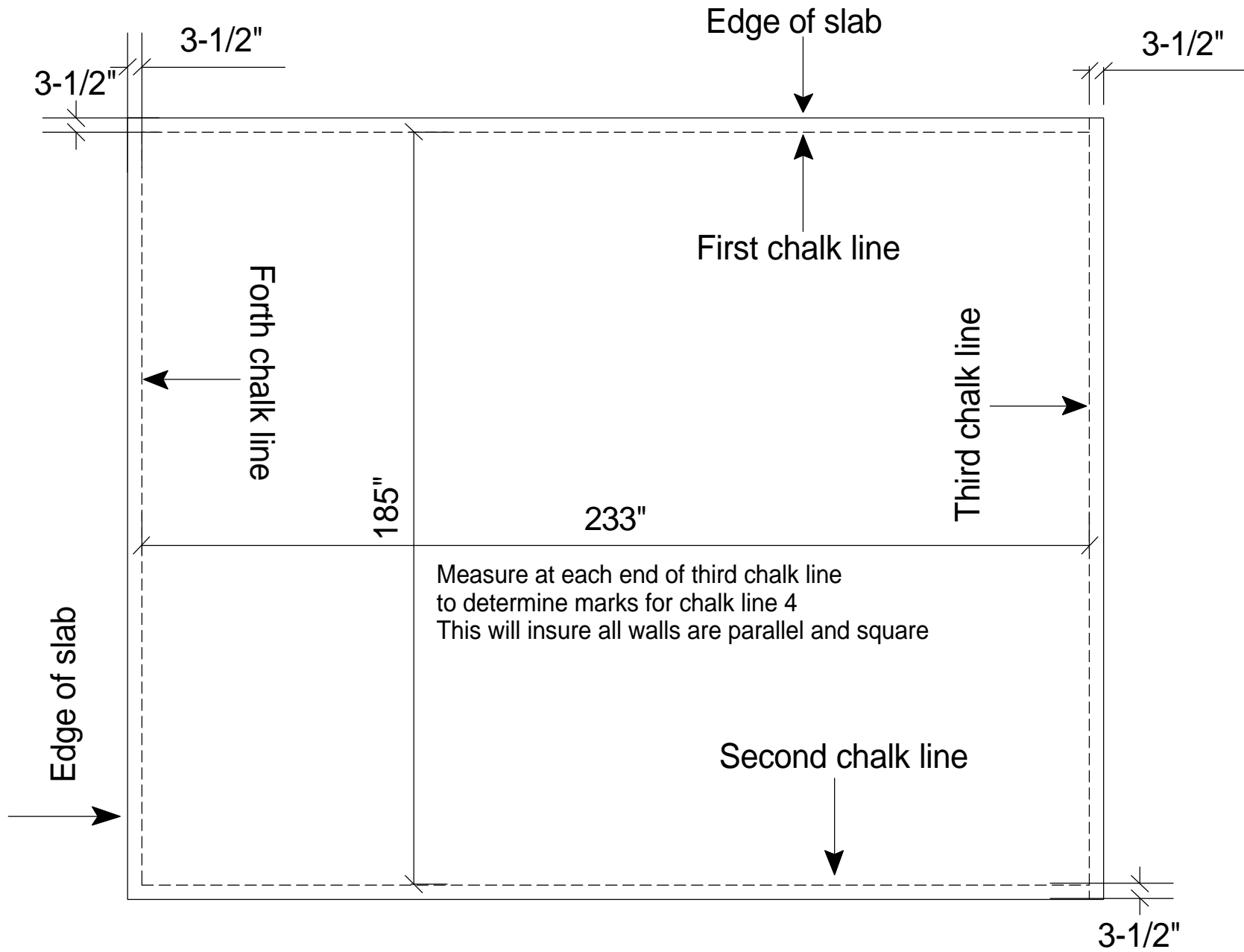
3-1/2"



Detail 2 - Layout Lines - Long Walls First

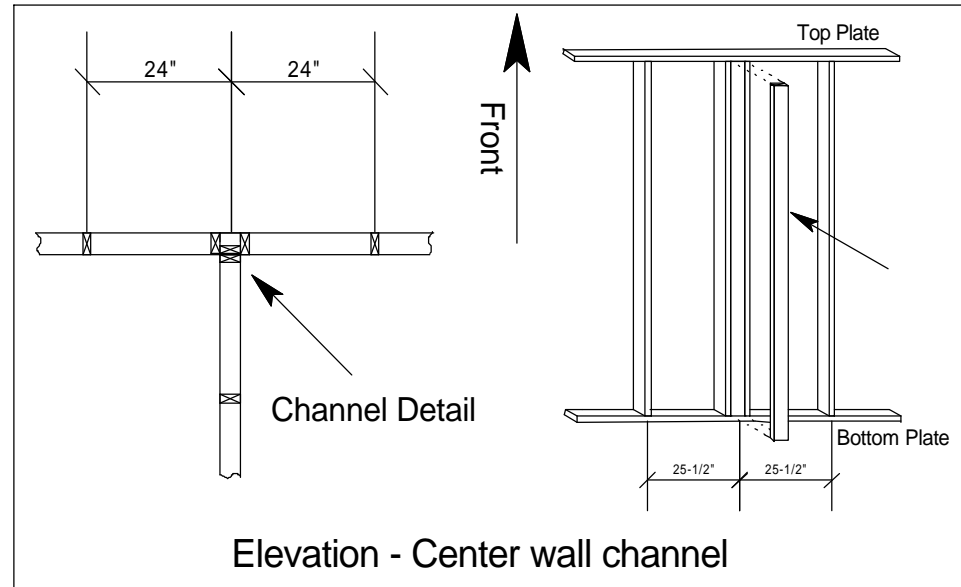
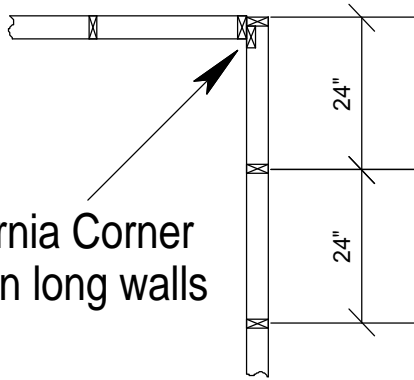


Detail 3 - Layout Lines - Short Walls Second

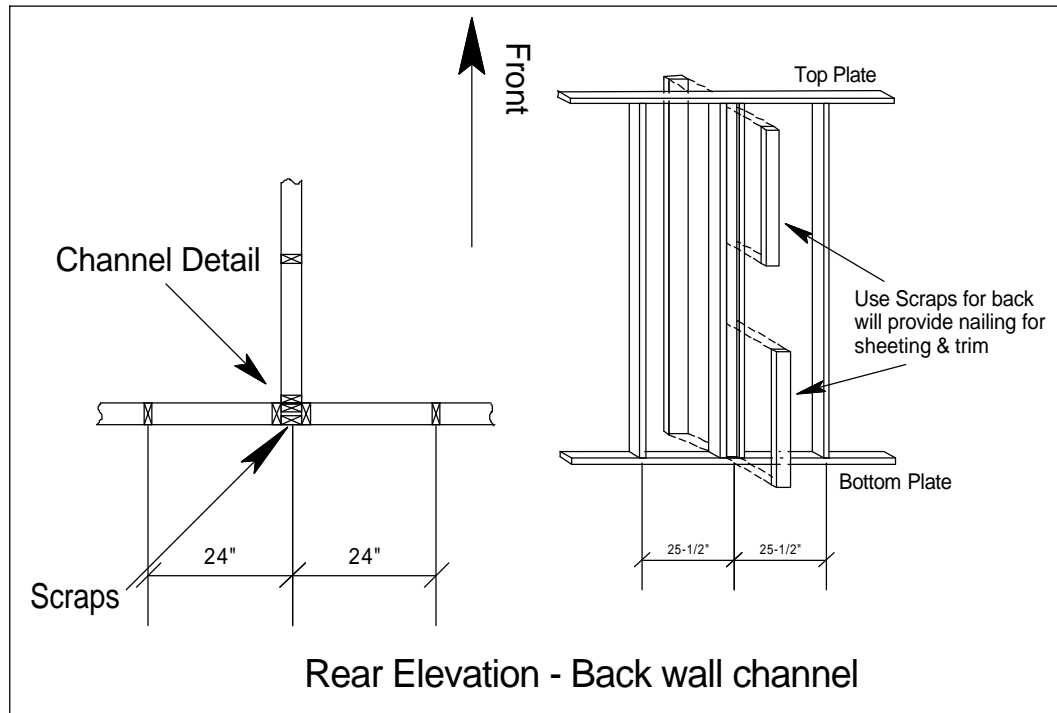


Detail 4 - Layout Lines - Short Walls Third

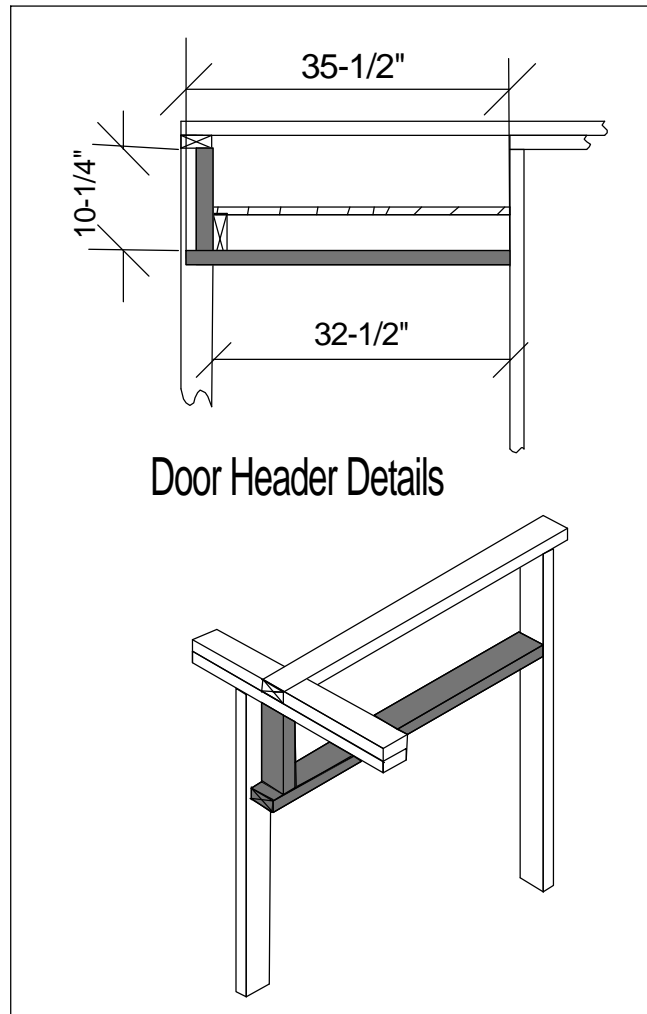
California Corner
only on long walls



Elevation - Center wall channel

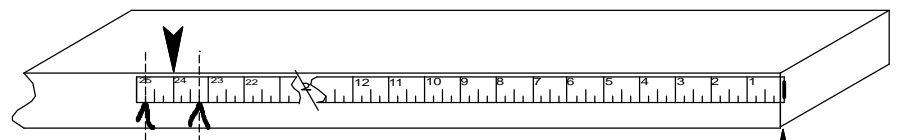
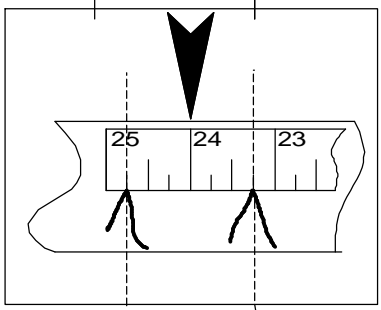
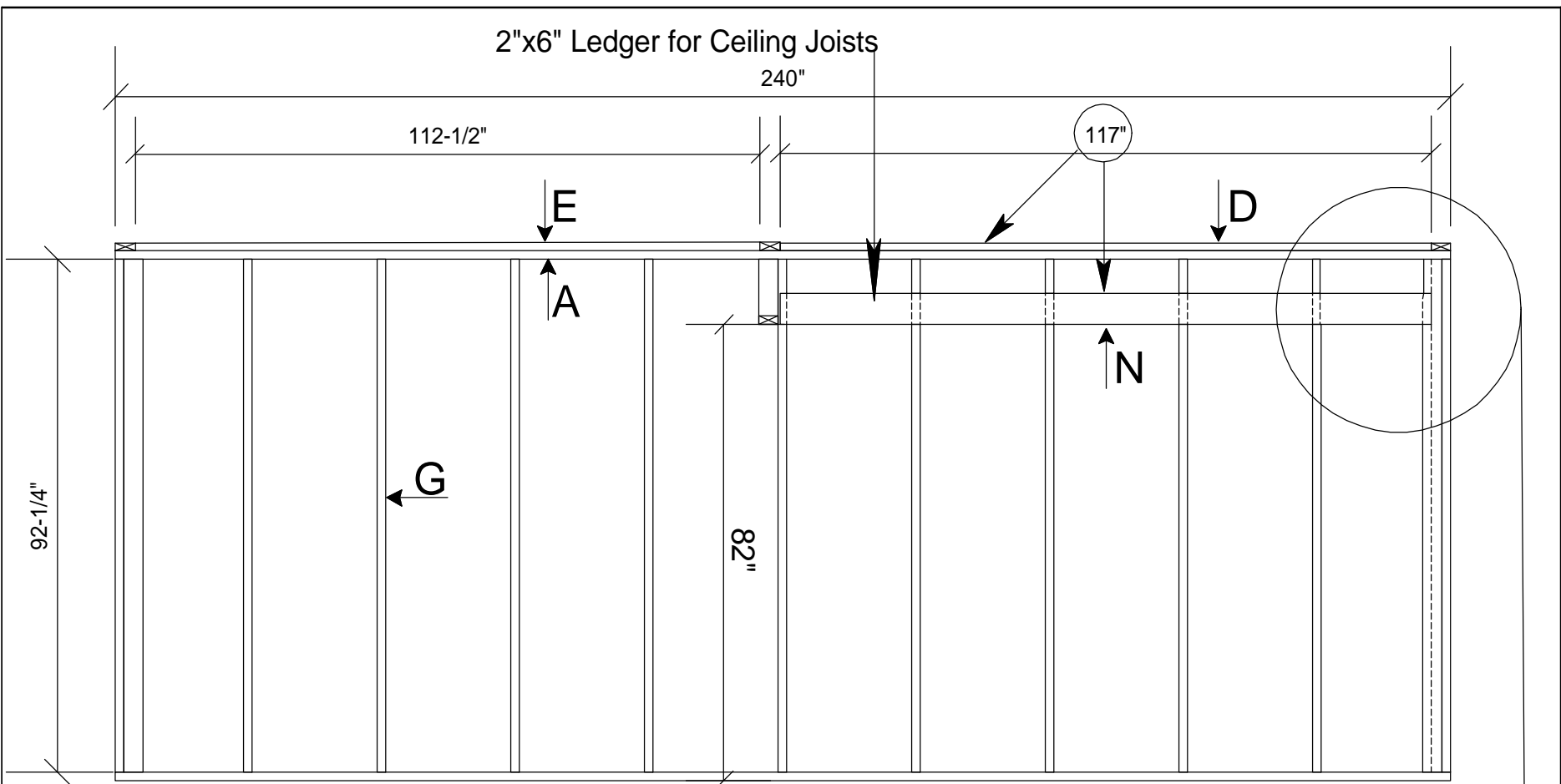


Rear Elevation - Back wall channel

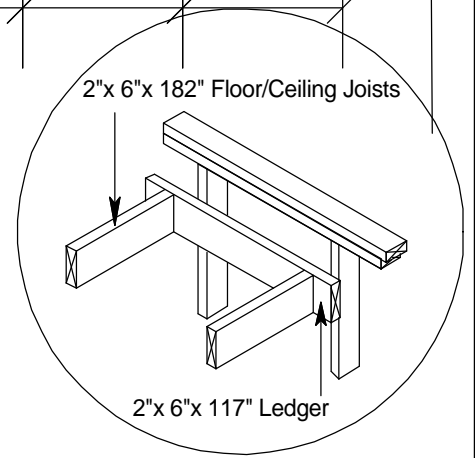


Door Header Details

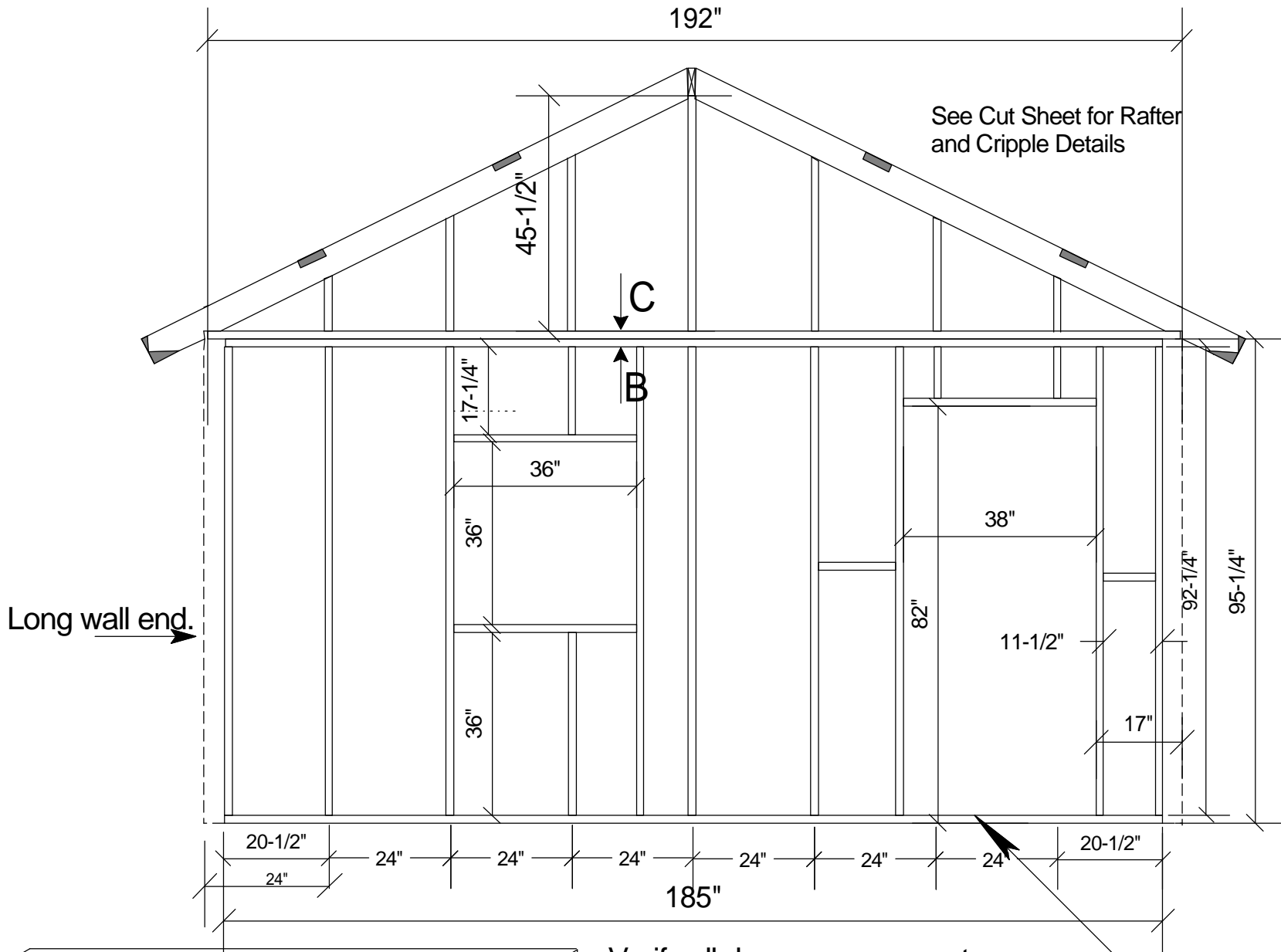
Detail 5 - Floor Plan - Framing Details



Begin layout with measuring tape "hooked" one the end of the plate. Mark for 24" on center. Make two marks as illustrated. Center stud between points.



Detail 6 - Long Wall Framing Left Side

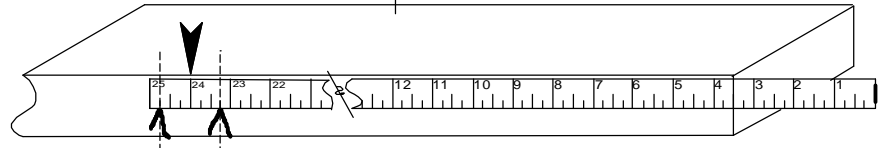


Long wall end. →

See Cut Sheet for Rafter and Cripple Details

Verify all door measurements.

Note: Watch or Anchor bolt locations in door way. It may be necessary to move the door to accommodate the homeowner or the bolt location.



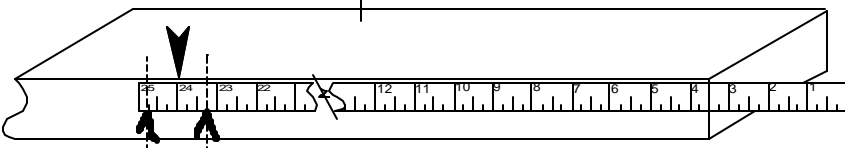
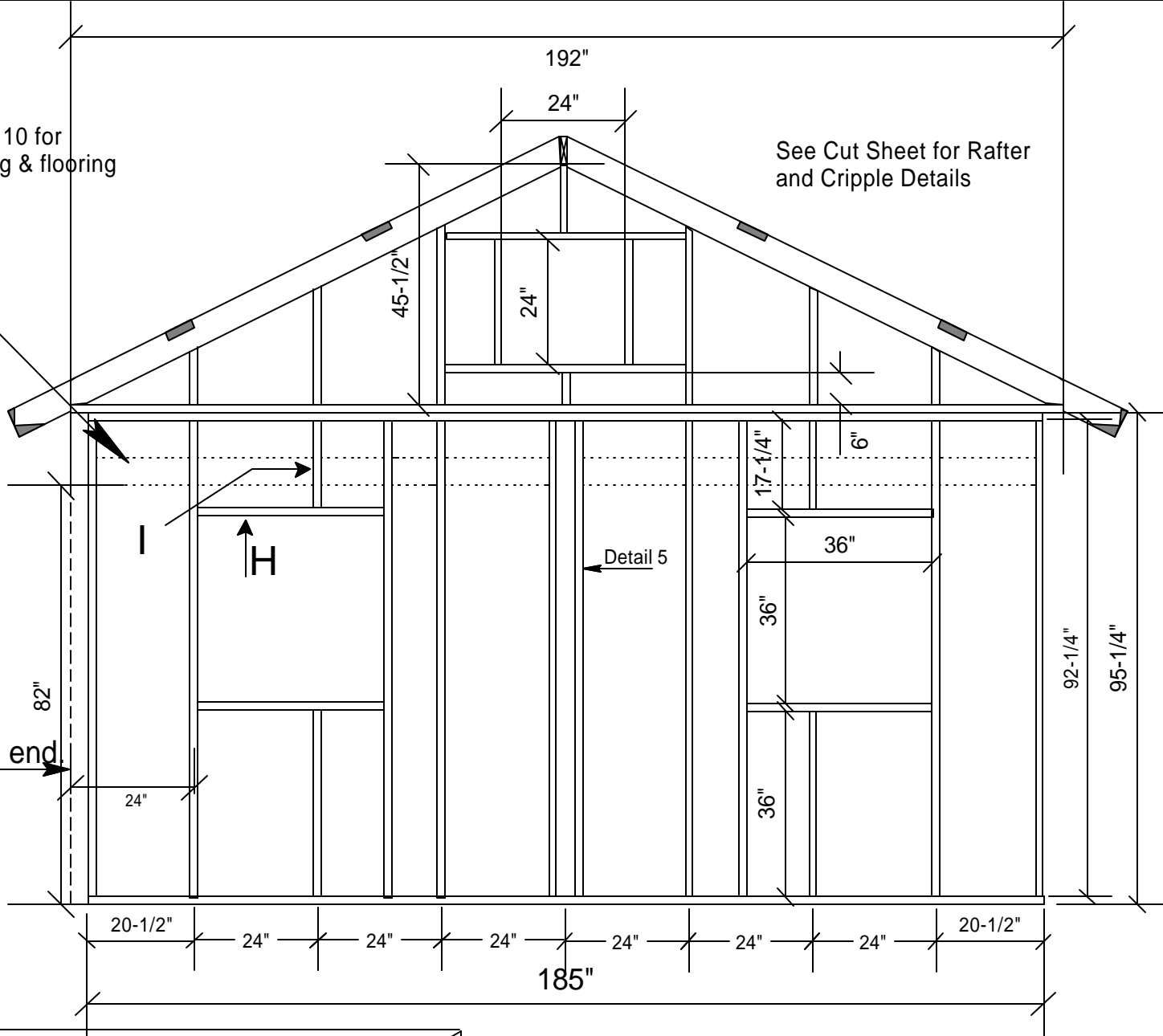
Begin layout with measuring tape 3-1/2" past end of the end of the plate. Mark for 24" on center. Make two marks as illustrated. Center stud between points.

Detail 8 - Front Wall Framing

See Detail 10 for
Loft framing & flooring

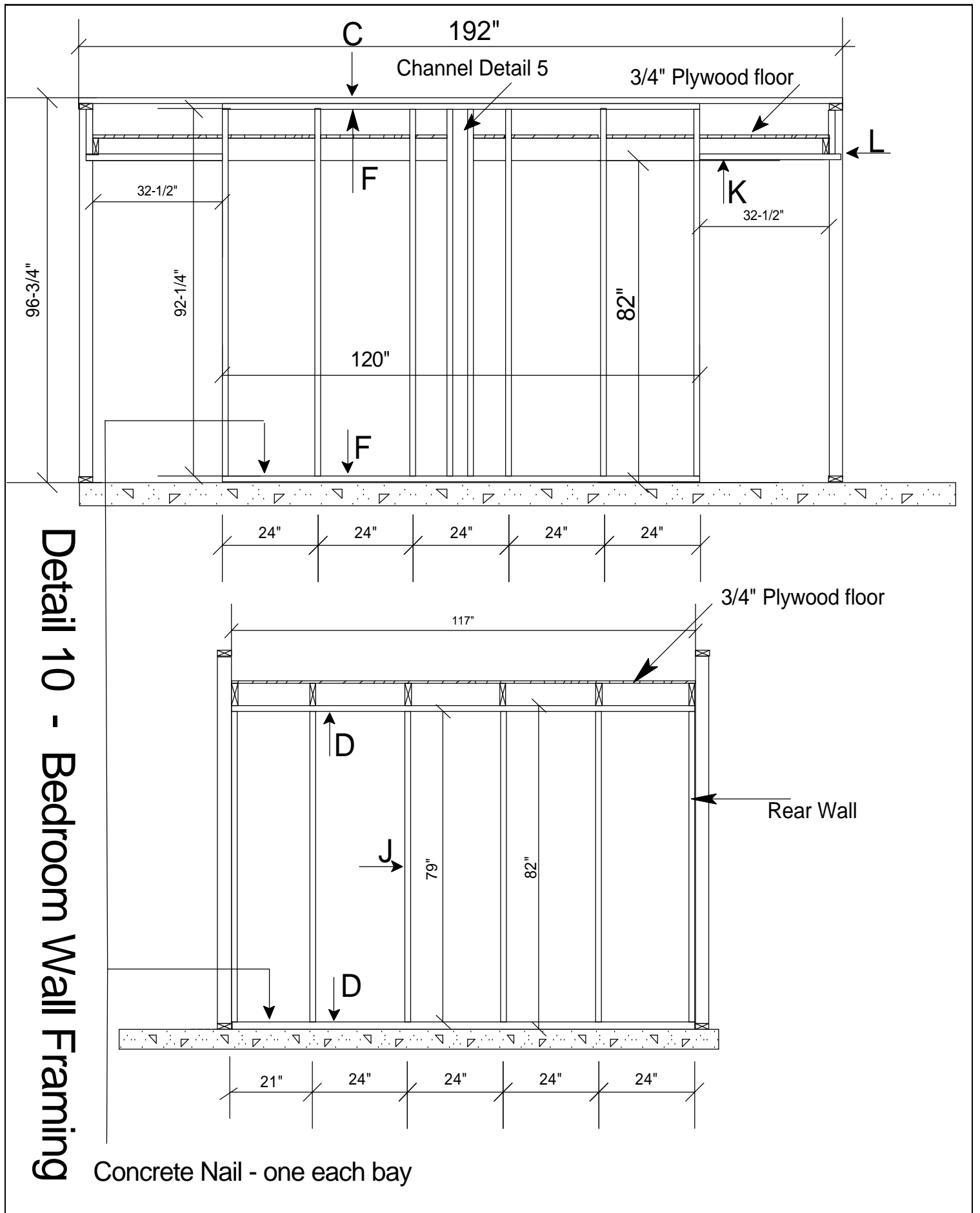
See Cut Sheet for Rafter
and Cripple Details

Long wall end

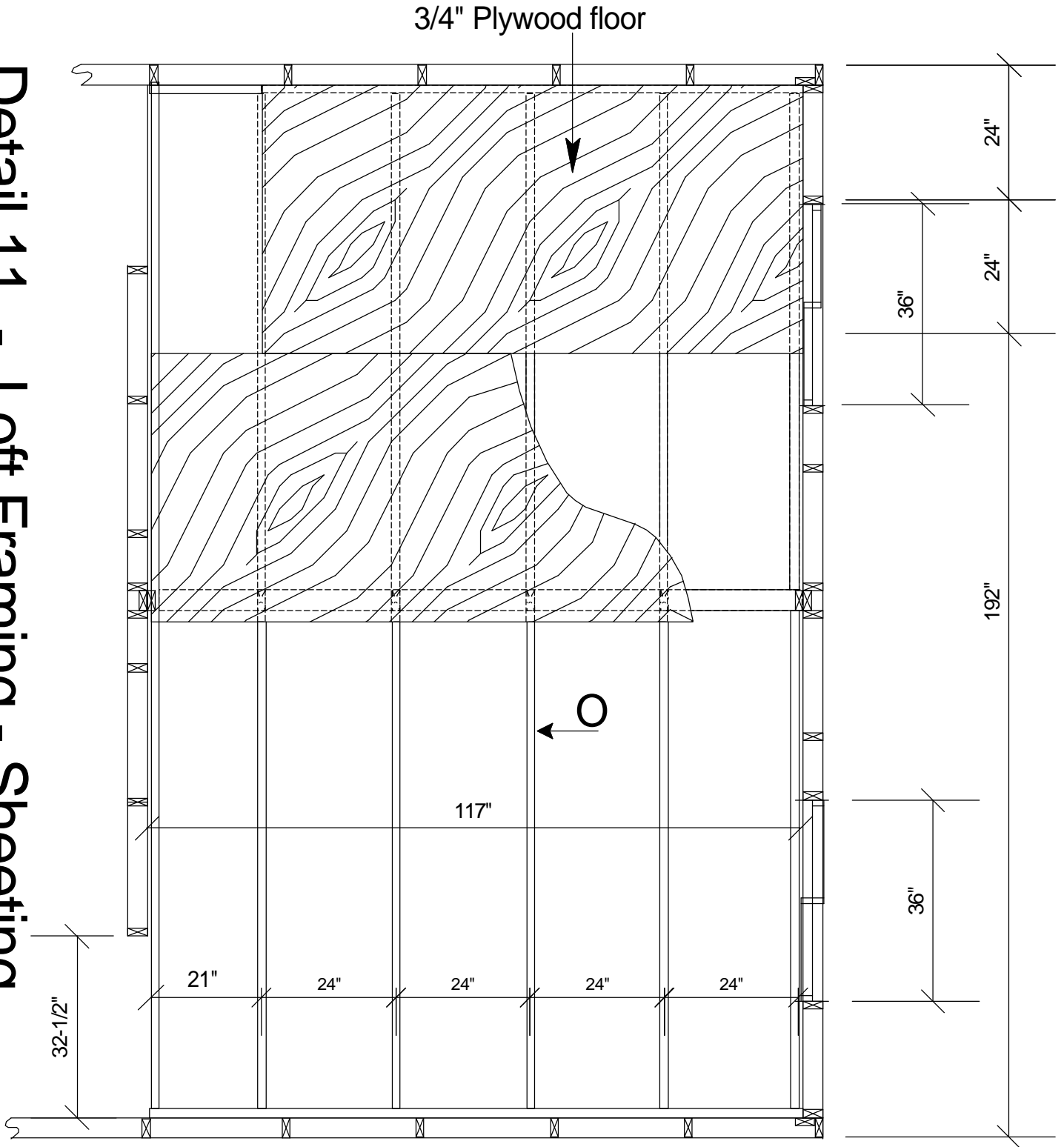


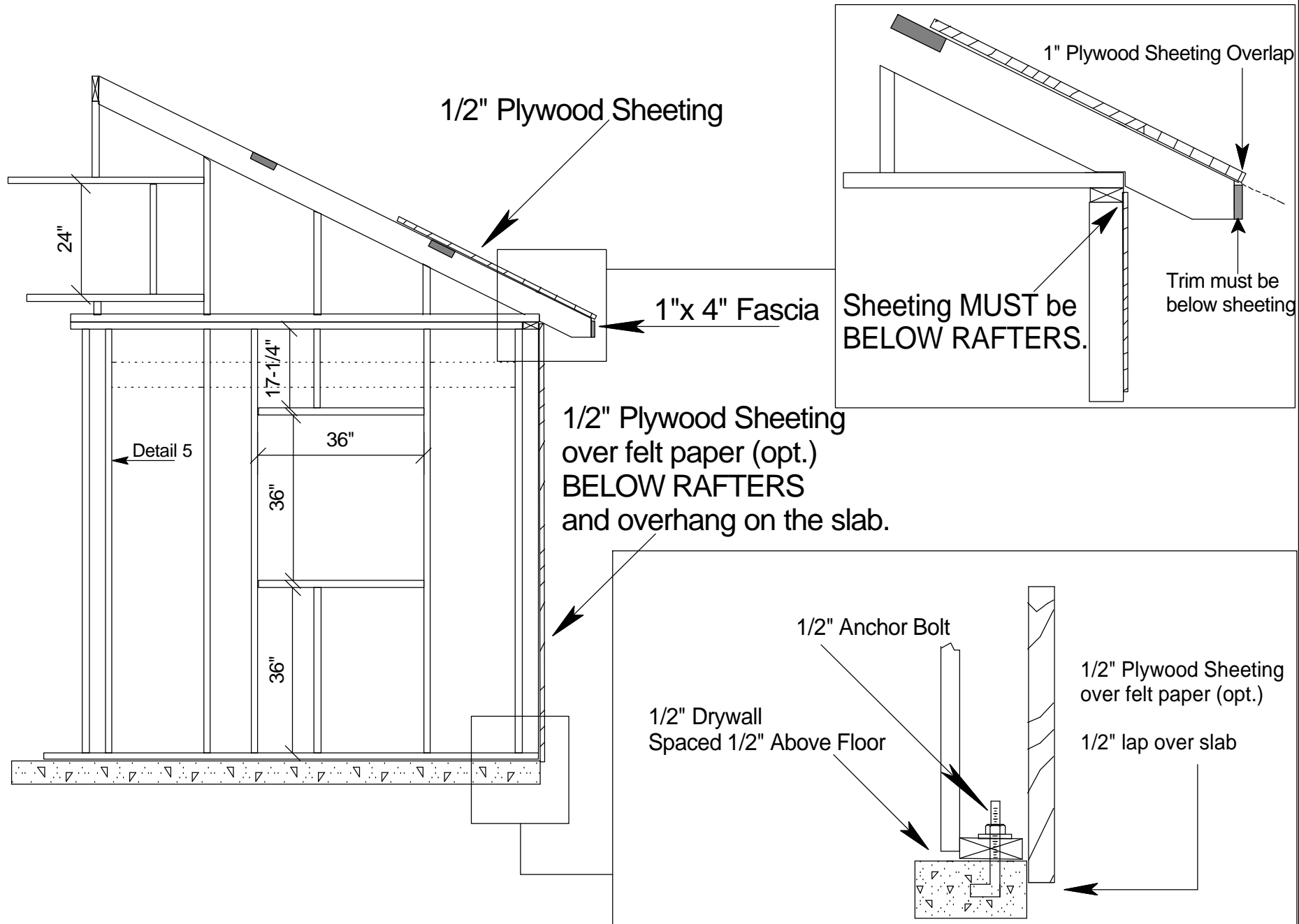
Begin layout with measuring tape 3-1/2" past end
of the plate. Mark for 24" on center.
Make two marks as illustrated. Center stud between points.

Verify all window measurements.
Detail 9 - Rear Wall Framing

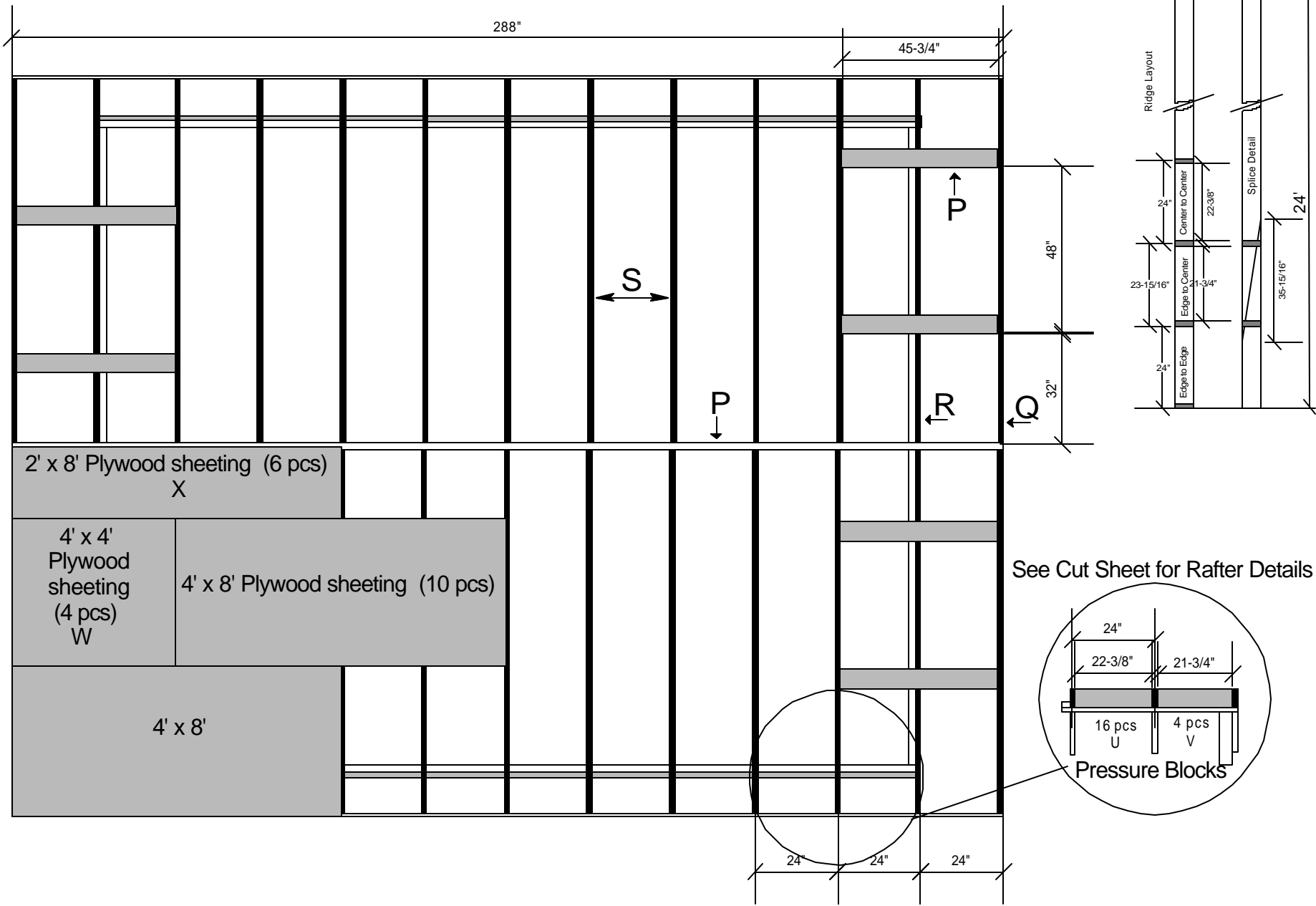


Detail 11 - Loft Framing - Sheeting





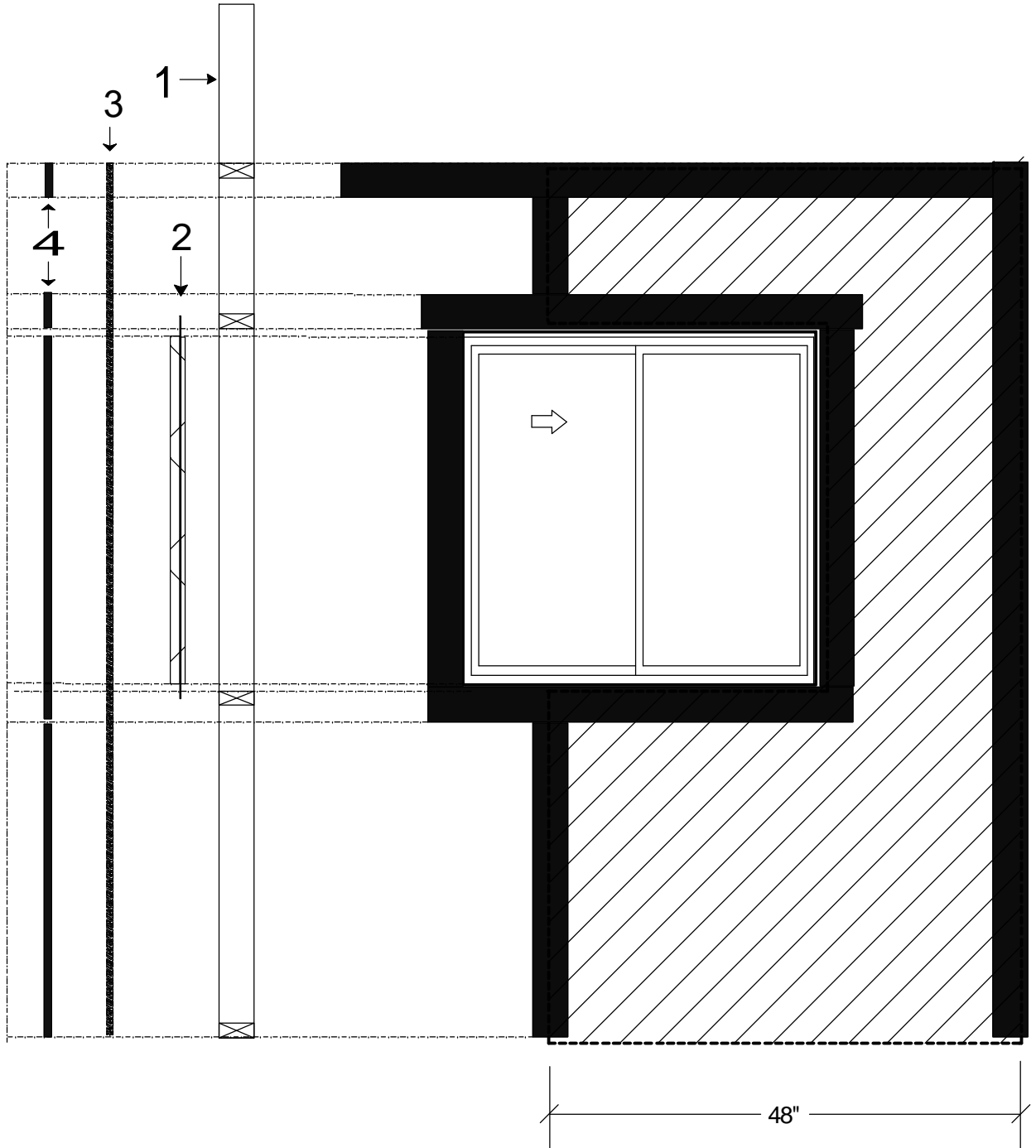
Detail 12 - Wall Section

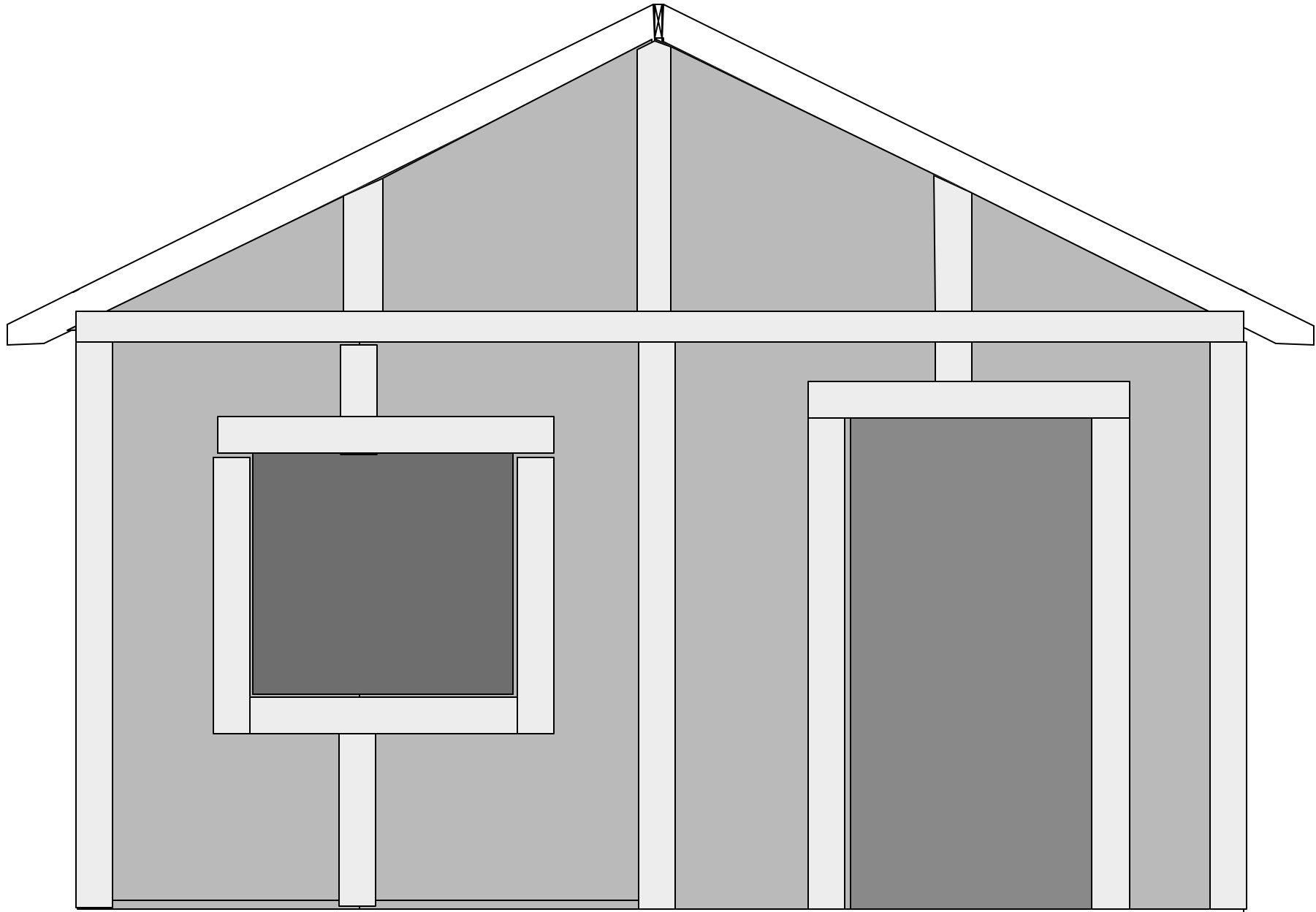


Detail 13 - Roof Plan - Top View

1. Framing First
2. Window Second - 1 Nail each corner
3. Plywood Third
4. Trim Last with caulking around the top and sides

Detail 14 - Window Installation Trim/Sheeting





Detail 15 - Typical Trim

